

## How Do I Replace the Dimplex Opti-myst Transducer?

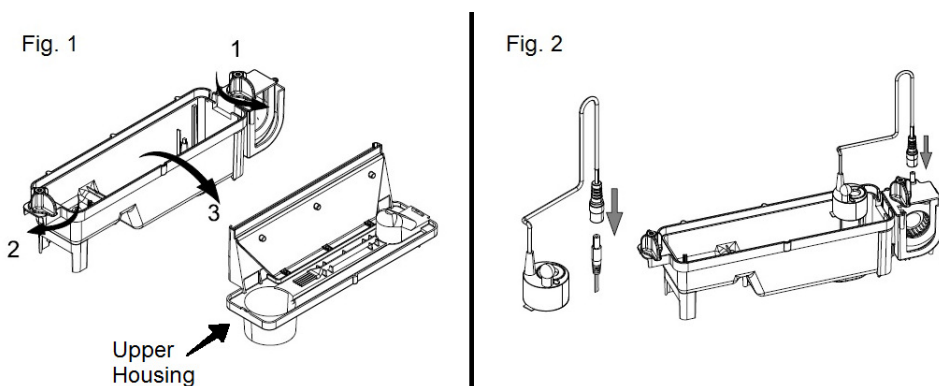
THESE INSTRUCTIONS APPLY TO ALL OPTIMYST PRODUCTS.

### ISOLATE FROM THE MAINS SUPPLY BEFORE COMMENCING THIS REPAIR & REPAIR SHOULD BE UNDERTAKEN BY A COMPETENT PERSON

The transducer is a consumable item and may need to be replaced through time, depending on its usage, maintenance carried out & water used. Replacement transducers can be purchased from UK Spares.

#### STEP BY STEP

1. Remove the upper housing by turning the securing clips through 90° and lifting free (Fig. 1)
2. Connect the transducer wire onto the right-hand side of the water sump/ lower assembly as indicated (Fig. 2)



3. Orientate the transducer as indicated then place firmly into position ensuring it sits level (Fig. 3)
4. Ensure the transducer wire does not obstruct the transducer sensors and runs flat against the water sump side wall. Reposition as indicated (Fig. 4)
5. Check all connections are secure before refitting the upper housing (Reverse Fig. 1)
6. Fill the water bottle with filtered water and place onto the sump, a gurgling noise will be heard while the water transfers from the bottle to the sump, this is normal & can take up to 30 seconds

